

# Control Valve Move 1250

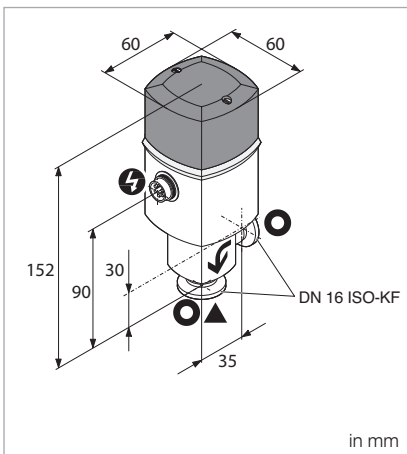


Control valve Move 1250

## Control Valve Move 1250

### Advantages to the User

- Extended control range from  $1 \times 10^{-6}$  to 1250 mbar x l/s
- High controllable gas throughput
- Corrosion resistant owing to FPM (FKM)/stainless steel
- In combination with CMove the valve closes automatically in the event of a power failure
- Valve driven either by the controller CMove 1250 or by a PC or a PLC through the IMove interface
- Electromotive pressure control with variable gas flow (upstream regulation) or with variable conductance (downstream regulation)



Dimensional drawing for the Move 1250

## Technical Data

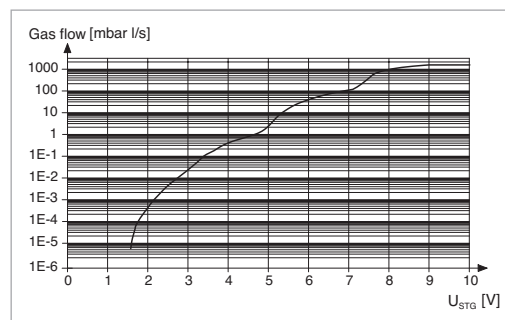
## Control Valve Move 1250

Vacuum connection		DN 16 ISO-KF
Mounting orientation		Any
Leak tightness	mbar x l/s	$1 \times 10^{-9}$
Pressure range		$1 \times 10^{-8}$ mbar to 2.5 bar (absolute)
Gas flow <sup>1)</sup>		$5 \times 10^{-6}$ to 1250 mbar x l/s
with filter, on the inlet side		
with filter, on the inlet and the vacuum side	mbar x l/s	$5 \times 10^{-6}$ to 1000
Power supply		
Operation voltage	V DC	24 ( $\pm 10\%$ )
Power consumption	VA	12
Current consumption	mA	500, 20 to 30 (closed circuit current)
Actuation		Step motor
Digital		CMove or IMove 1250
Analog	V DC	0 to 10
Type of protection	IP	40
Closing time / opening time	s	3 / 4
Ambient temperature	°C	+5 to +40
Bake out temperature		
Valve body	°C	80
Actuator	°C	60
Material		
Valve body		Stainless steel 1.4435
Valve needle, valve disc		Stainless steel 1.4301
Filter		Stainless steel 1.4404
Seals		FPM
Dosing sleeve		Fluorplastomer
Weight	kg (lbs)	0.5 (1.1)

<sup>1)</sup> For air at a differential pressure of  $\Delta p = 1$  bar

<sup>2)</sup>  $1 \text{ sccm} = 1.69 \times 10^{-2} \frac{\text{mbar} \times \text{l}}{\text{s}}$

<sup>3)</sup> Minimum flow: in each case 1% of FS (full-scale)



Gas flow curve of the Move 1250

## Ordering Information

## Control Valve

### Move 1250

	Part No.
Control Valve	
Move 1250	<b>230 219</b>
Filter for the inlet or vacuum side consisting of filtering candle, O-ring and two securing rings	<b>109 63</b>
Connection cable	
CMove 1250 - Control valve Move 1250	
3 m	<b>230 220</b>
5 m	<b>230 221</b>
10 m	<b>230 222</b>
15 m	<b>230 223</b>
20 m	<b>230 224</b>
25 m	<b>230 225</b>